

SPARE PARTS CATALOGUE
BRUSHCUTTERS/CLEARING SAWS: HUSQVARNA 535RXT

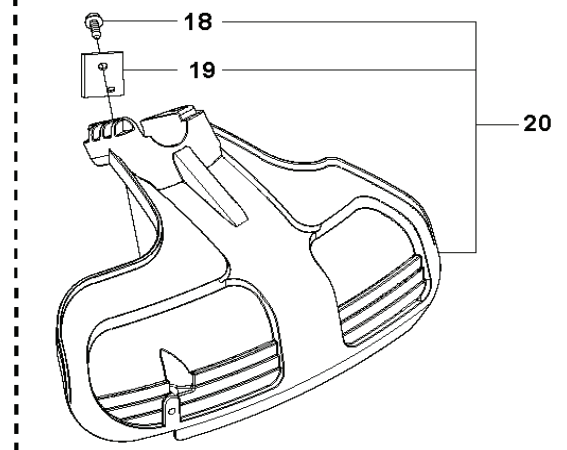
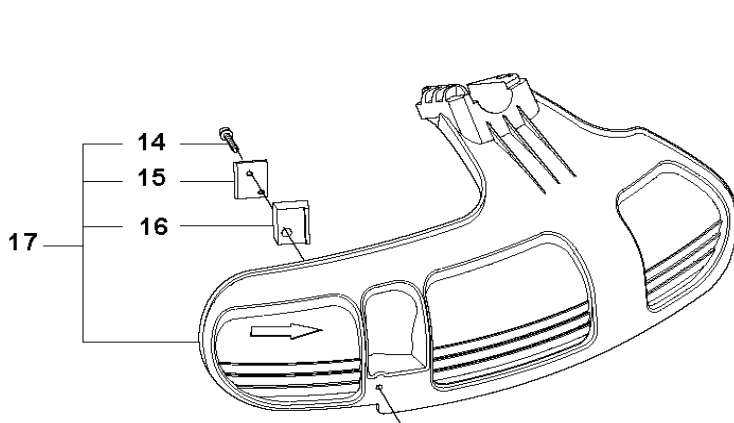
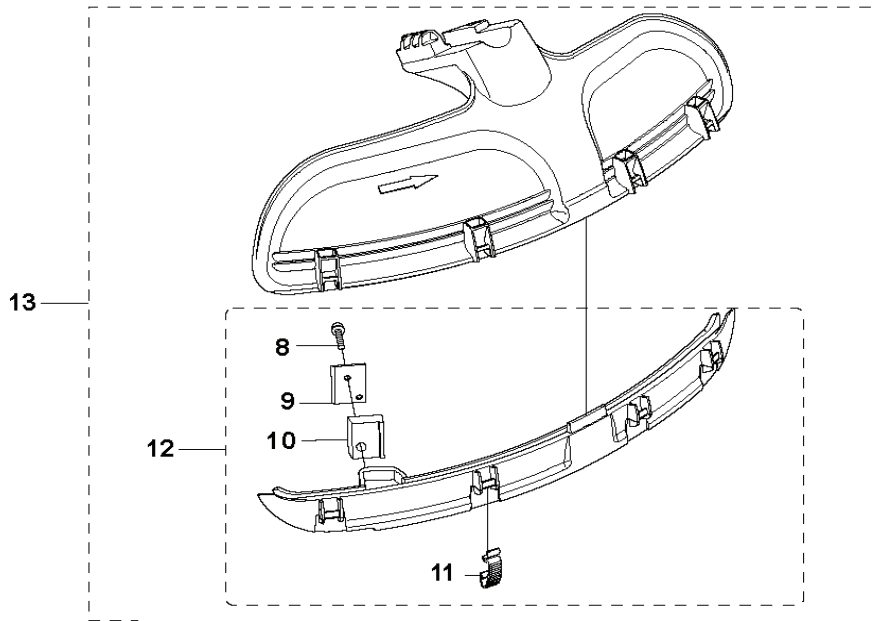
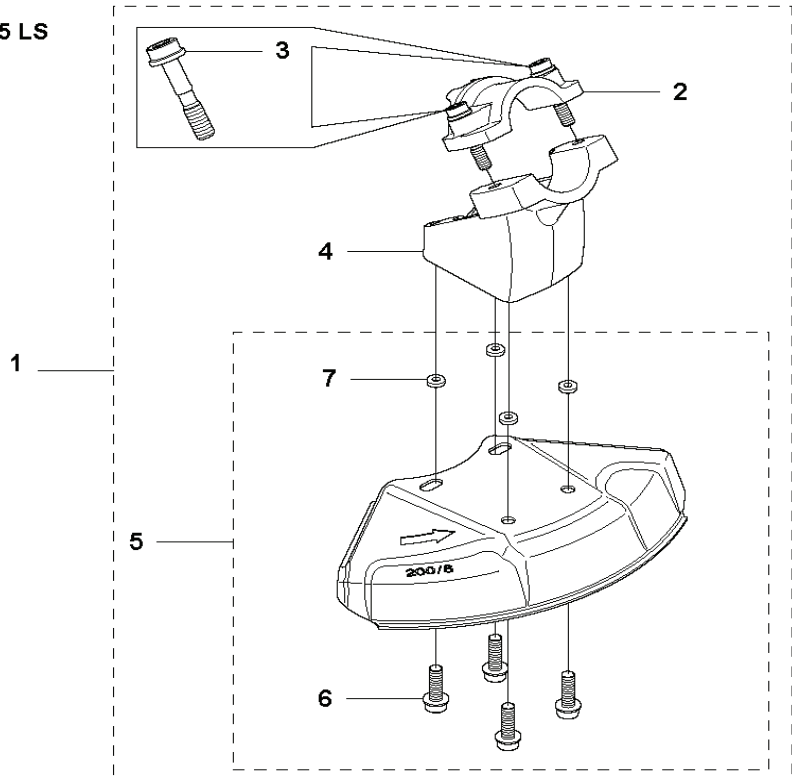
Spare Parts List

SPARE PARTS LIST

BRUSHCUTTERS/CLEARING SAWS

HUSQVARNA 535RXT

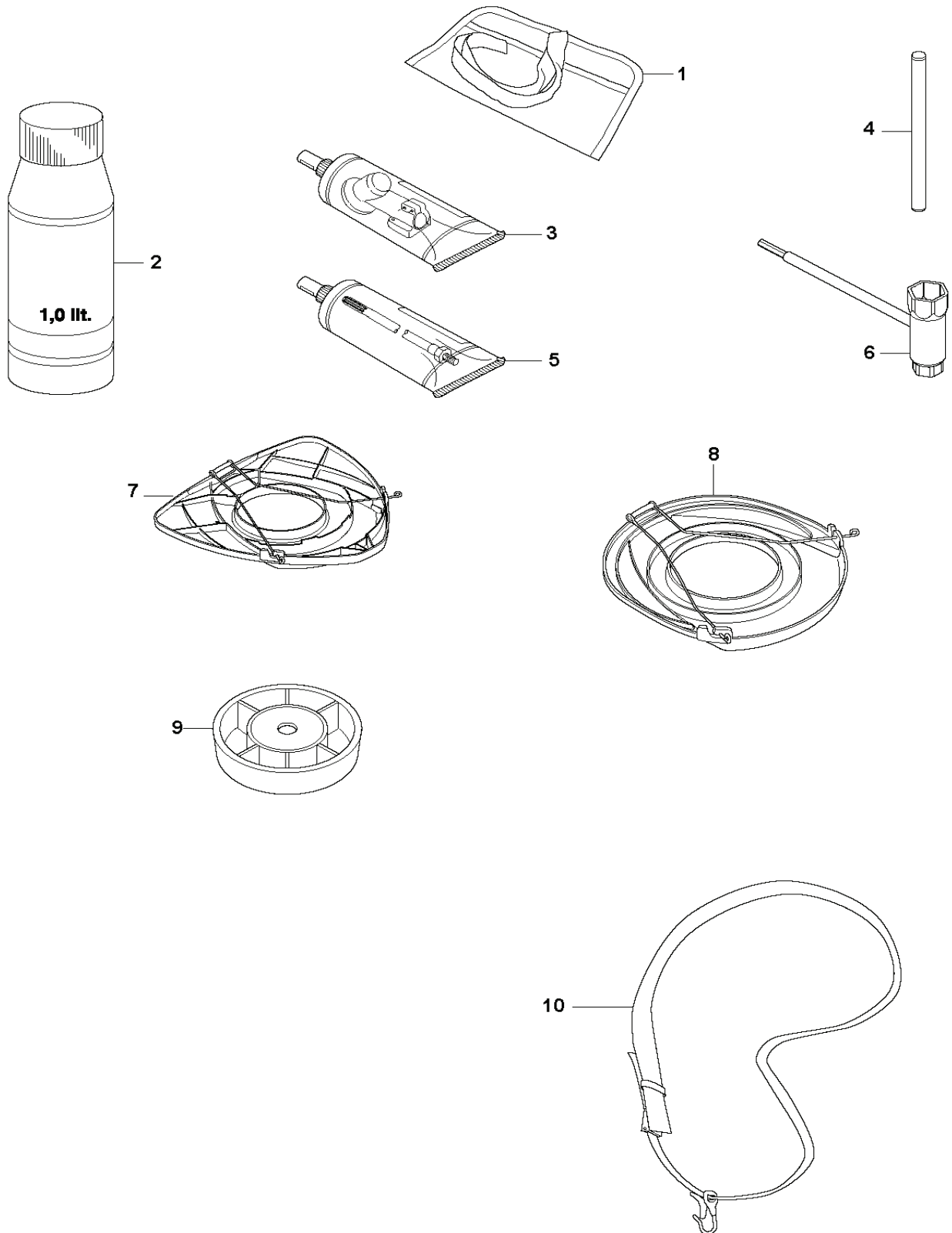
R1 535 RX, 535 RJ, 535 RXT, 535 LS
ACCESSORIES



BRUSHCUTTERS/CLEARING SAWS

PXM_REF	PXM_PARTNO	DESCRIPTION	PXM_REMARK	QTY.	
1	501320402	SAW BLADE GUARD	Incl. Pos. 2-7	1	
2	574530601	CLAMP	Spare part incl. Screws Pos. 3	1	1
3	573994304	SCREW IHSCFMO	Captive Screw M5	2	1,2
4	501320801	ADAPTER		1	1
5	574532601	BLADE GUARD	Incl. Pos. 6-7	1	1
6	503200216	SCREW IHSCFM		4	1,5
7	574039501	LOCK NUT		4	1,5
8	503210716	SCREW IHSC T	535 RX, 535 RXT	1	13
8	503216825	SCREW IHSCFT	535 LS, 535 RJ	1	13
9	503798802	BLADE		1	13
10	544124501	RETAINER	535 LS, 535 RJ	1	13
11	537387201	SNAP LOCKING		4	13
12	537396301	SPLASH GUARD	535 RX, 535 RXT	1	13
12	537396303	SPLASH GUARD	535 LS, 535 RJ	1	
13	537331601	COMBINATION GUARD	535 RX, 535 RXT	1	
13	537331603	SPLASH GUARD	535 LS, 535 RJ	1	
14	503216825	SCREW IHSCFT	535 LS, 535 RJ	1	17
15	503798802	BLADE		1	17
16	544124501	RETAINER	535 LS, 535 RJ	1	17
17	537349403	TRIMMER GUARD ASSY	535 LS, 535 RJ	1	
18	503216825	SCREW IHSCFT	535 LS, 535 RJ	1	20
19	503798802	BLADE		1	20
20	502448101	TRIMMER GUARD ASSY		1	

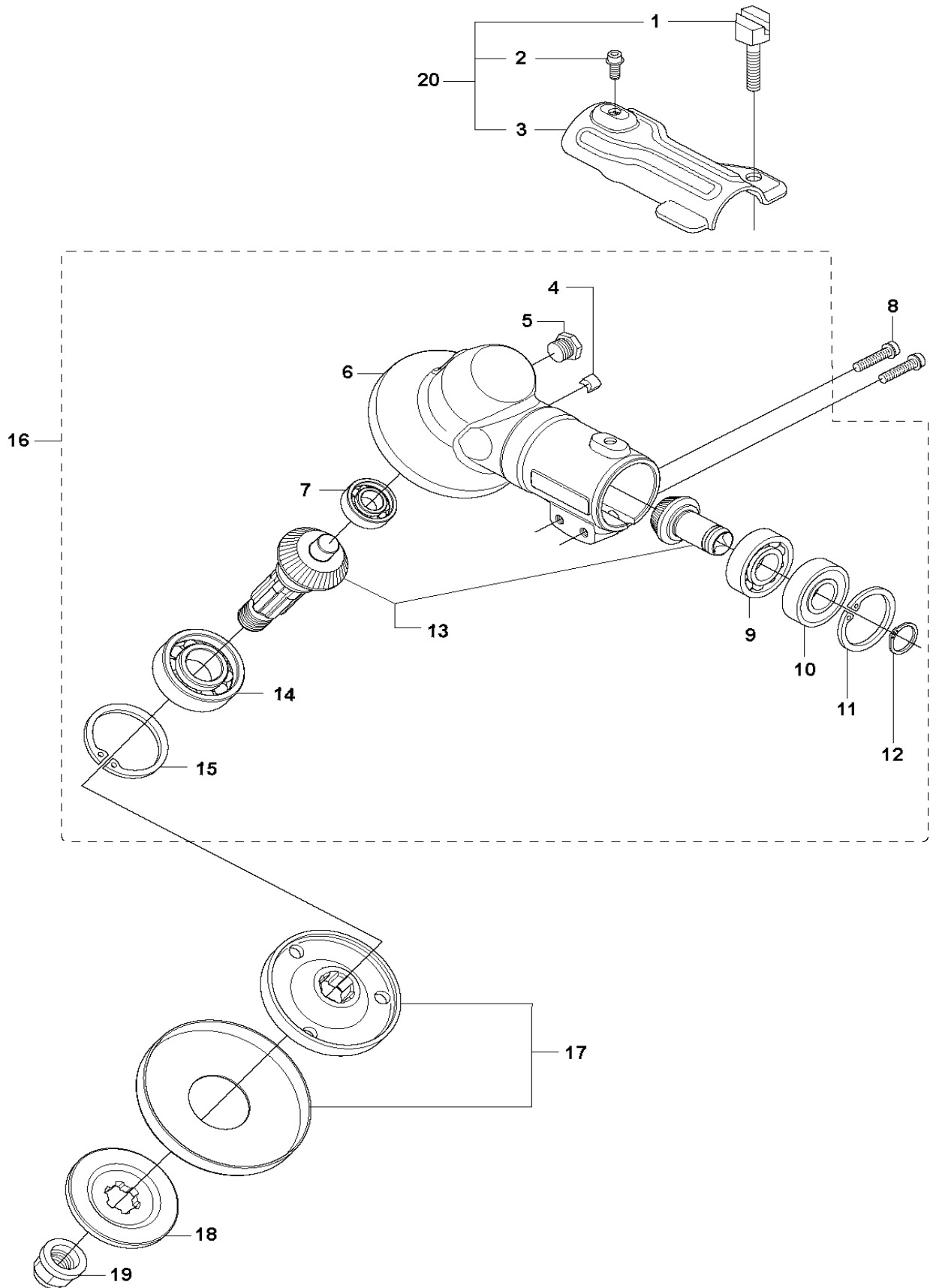
R2 535 RX, 535 RJ, 535 RXT, 535 LS
ACCESSORIES



BRUSHCUTTERS/CLEARING SAWS

PXM_REF	PXM_PARTNO	DESCRIPTION	PXM_REMARK	QTY.
1	501192201	TOOL		1
2	531009248	FILTER OIL	Oil Airfilter	1
3	503976401	GREASE		1
4	502285901	STOP		1
5	503801701	GREASE		1
6	537362101	COMBINATION WRENCH		1
7	544359101	TRANSPORT GUARD		1
8	537312901	TRANSPORT GUARD	200-275 mm	1
9	503890102	SUPPORT CUP		1
10	537216201	HARNESS		1
10	537216202	HARNESS	USA	1

A 535 RX, 535 RJ, 535 RXT, 535 LS
BEVEL GEAR

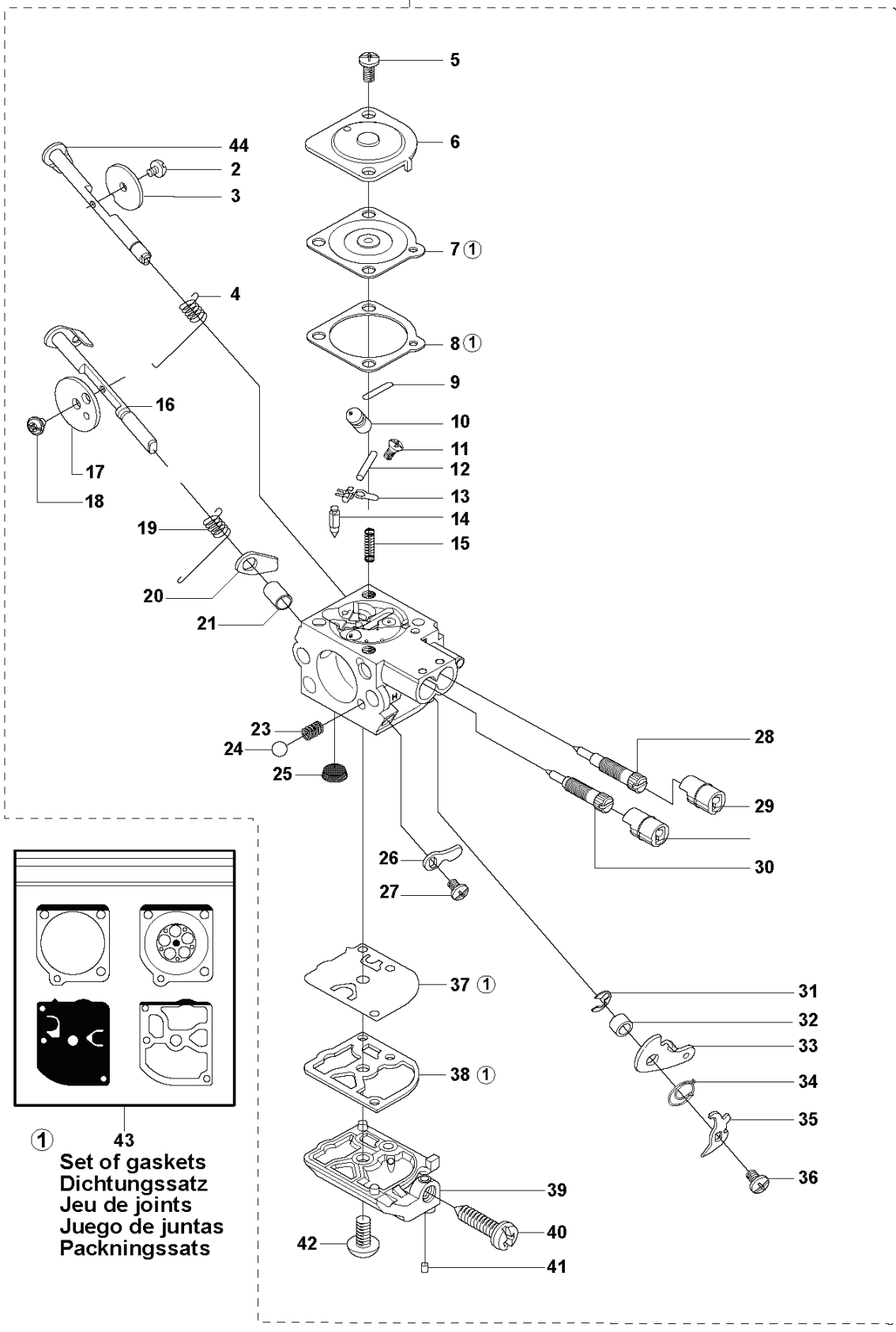


BRUSHCUTTERS/CLEARING SAWS

PXM_REF	PXM_PARTNO	DESCRIPTION	PXM_REMARK	QTY.
1	537189501	SCREW		1
2	503200210	SCREW IHSCFM		1 20
3	544087601	CLAMP		1 20
4	537147401	MAGNET		1 20
5	503201501	SCREW		1 16
6	537295902	GEAR HOUSING		1 16
7	738219900	BALL BEARING		1 16
8	503200325	SCREW IHSCFM		2 16
9	738210110	BALL BEARING		1
10	738210112	BALL BEARING		1 16
11	735312810	CIRCLIP		1 16
12	735311400	CIRCLIP		1 16
13	505133301	SPARE PARTS KIT	535 RX. 535 RXT	1 16
13	505133401	GEAR SET	535 RJ. 535 LS	1 16
14	503252801	BALL BEARING		1 16
15	735313110	CIRCLIP		1 16
16	544216401	GEAR	535 RX. 535 RXT	1 16
16	537295802	BEVEL GEAR	535 RJ. 535 LS	1
17	537351402	DRIVER	"(1")"	1
18	537343501	SUPPORT FLANGE		1
19	502291101	BLADE NUT		1
20	574306801	CLAMP		1

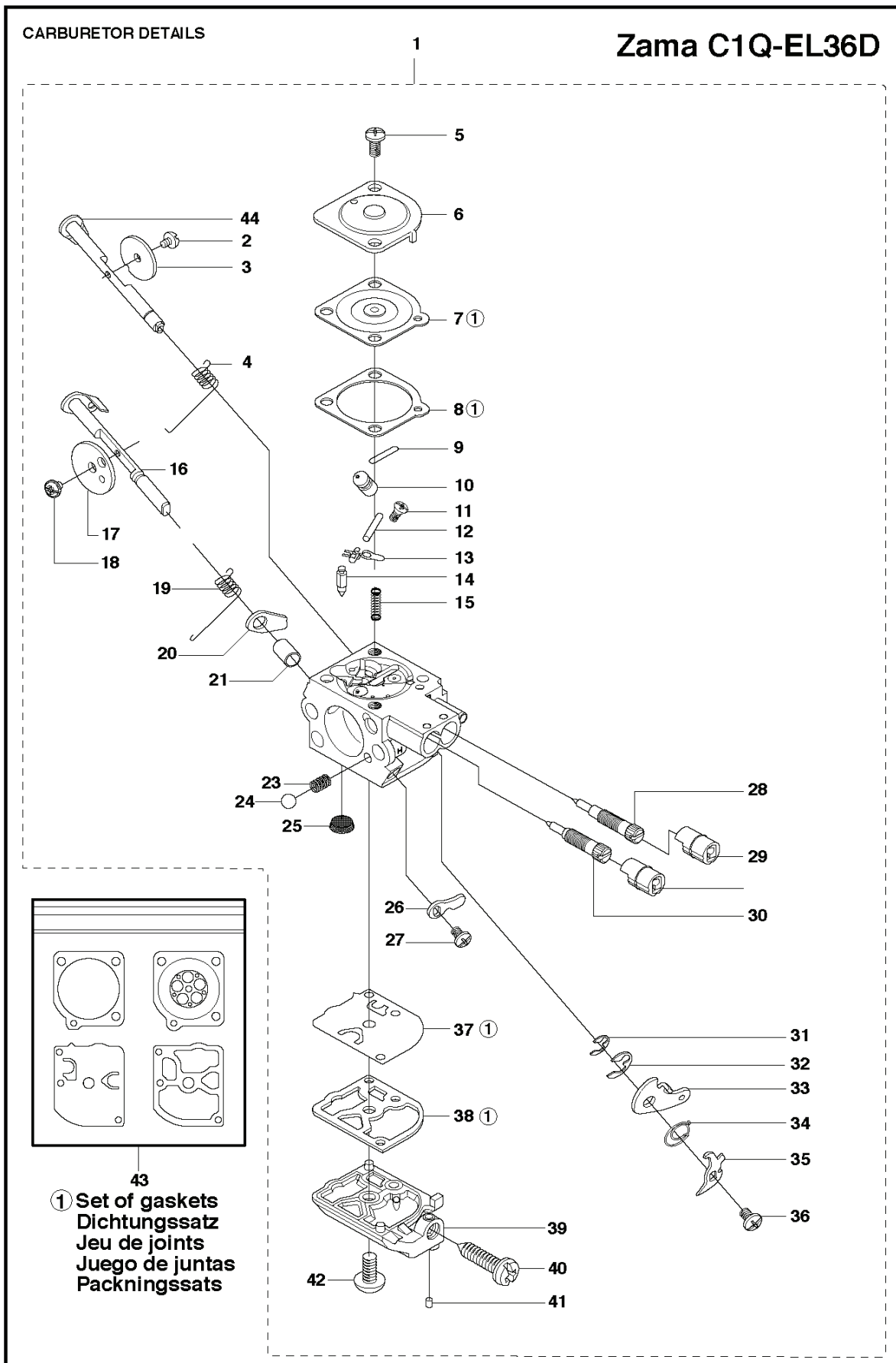
Q 535 RX, 535 RJ, 535 RXT, 535 LS
CARBURETOR

Zama C1Q-EL36



BRUSHCUTTERS/CLEARING SAWS

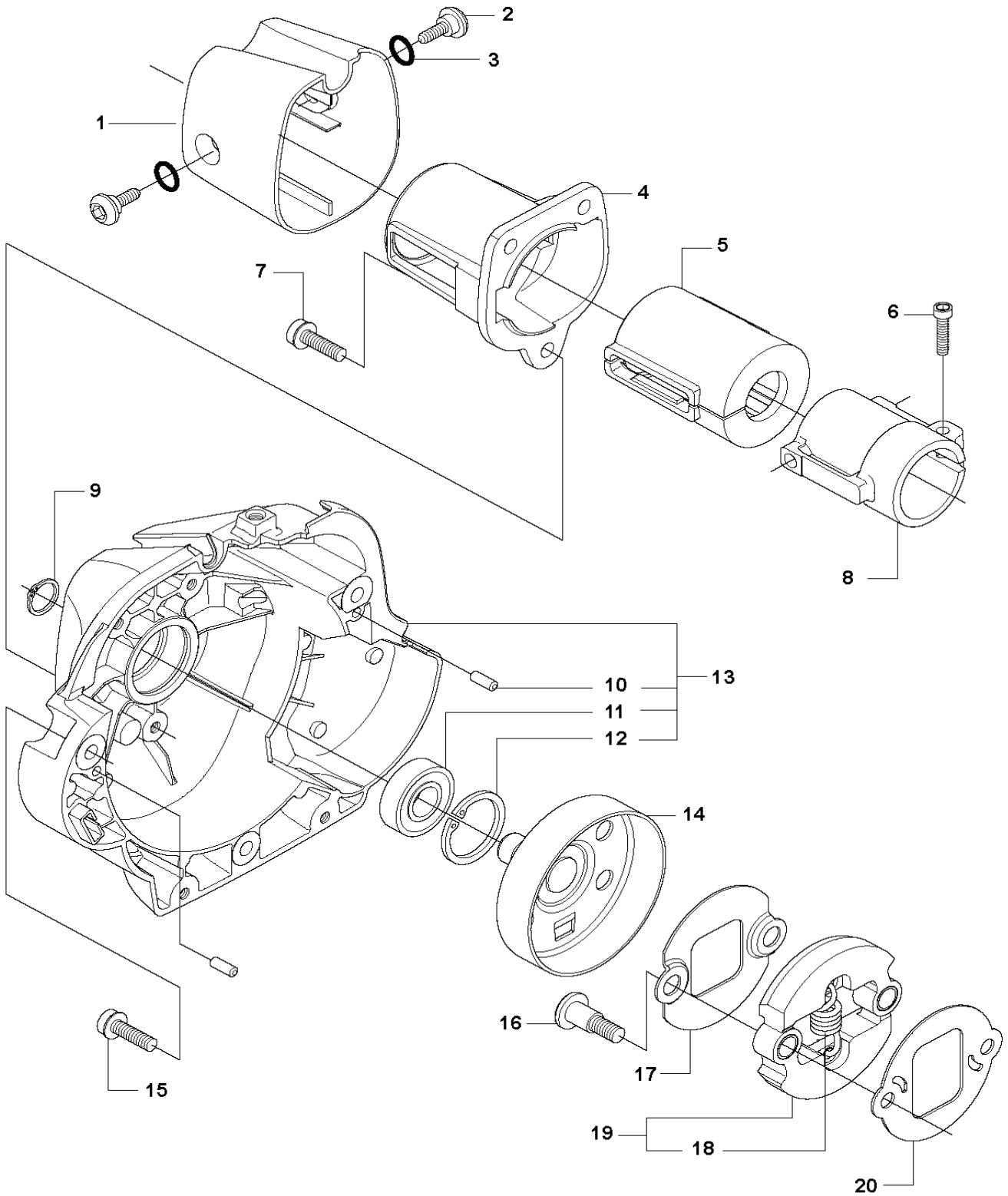
PXM_REF	PXM_PARTNO	DESCRIPTION	PXM_REMARK	QTY.
1	544325601	CARBURETTOR		1
2	503479201	SCREW		1 1
3	537417201	VALVE		1 1
4	544372401	SPRING		1 1
5	503480501	SCREW		2 1
6	503974301	COVER		1 1
7	537048901	DIAPHRAGM		1 1.43
8	537020401	GASKET		1 1.43
9	503535601	PLUG WELCH		1 1
10	537387301	NOZZLE ASSY		1 1
11	503480101	SCREW		1 1
12	503480001	PIN RETAINING SCREW		1 1
13	503665901	LEVER		1 1
14	503479701	VALVE		1 1
15	537020301	SPRING		1 1
16	544372201	SHAFT ASSY		1 1
17	537021101	VALVE		1 1
18	503481801	SCREW		1 1
19	544372601	SPRING		1 1
20	544372501	LEVER		1 1
21	544427001	COLLAR		1 1
23	537012601	SPRING		1 1
24	537012501	BALL		1 1
25	503481301	STRAINER		1 1
26	544372301	LEVER		1 1
27	503479001	SCREW		1 1
28	537416901	SCREW		1 1
29	537417001	LIMITER CAP		2 1
30	537387501	SCREW		1 1
31	537385201	CLIP		1 1
32	537417701	COLLAR		1 1
33	537417301	LEVER		1 1
34	537417801	SPRING THROTT.RETURN		1 1
35	537417401	LEVER		1 1
36	503479001	SCREW		1 1
37	537020001	DIAPHRAGM PUMP		1 1.43
38	537020101	GASKET		1 1.43
39	537416801	COVER		1 1
40	537020701	SCREW		1 1
41	503481101	PIECE		1 1
42	503479601	SCREW		1 1
43	531004552	GASKET KIT		1
44	537387401	SHAFT ASSY		1 1



BRUSHCUTTERS/CLEARING SAWS

PXM_REF	PXM_PARTNO	DESCRIPTION	PXM_REMARK	QTY.
1	581167501	CARBURETTOR		1
2	503479201	SCREW		1 1
3	537417201	VALVE		1 1
4	544372401	SPRING		1 1
5	503480501	SCREW		2 1
6	503974301	COVER		1 1
7	537048901	DIAPHRAGM		1 1.43
8	537020401	GASKET		1 1.43
9	503535601	PLUG WELCH		1 1
10	581899501	MAIN NOZZLE		1 1
11	503480101	SCREW		1 1
12	503480001	PIN RETAINING SCREW		1 1
13	503665901	LEVER		1 1
14	503479701	VALVE		1 1
15	503478101	SPRING		1 1
16	544372201	SHAFT ASSY		1 1
17	537370301	VALVE		1 1
18	503481801	SCREW		1 1
19	544372601	SPRING		1 1
20	544372501	LEVER		1 1
21	544427001	COLLAR		1 1
23	537012601	SPRING		1 1
24	537012501	BALL		1 1
25	503481301	STRAINER		1 1
26	544372301	LEVER		1 1
27	503479001	SCREW		1 1
28	537416901	SCREW		1 1
29	537417001	LIMITER CAP		2 1
30	581899301	SCREW		1 1
31	537385201	CLIP		1 1
32	537385001	CLIP		1 1
33	537417301	LEVER		1 1
34	576746601	SPRING		1 1
35	537417401	LEVER		1 1
36	502078401	SCREW		1 1
37	537020001	DIAPHRAGM PUMP		1 1.43
38	537020101	GASKET		1 1.43
39	537416801	COVER		1 1
40	537020701	SCREW		1 1
41	503481101	PIECE		1 1
42	503479601	SCREW		1 1
43	531004552	GASKET KIT		1
44	544372101	SHAFT ASSY		1 1

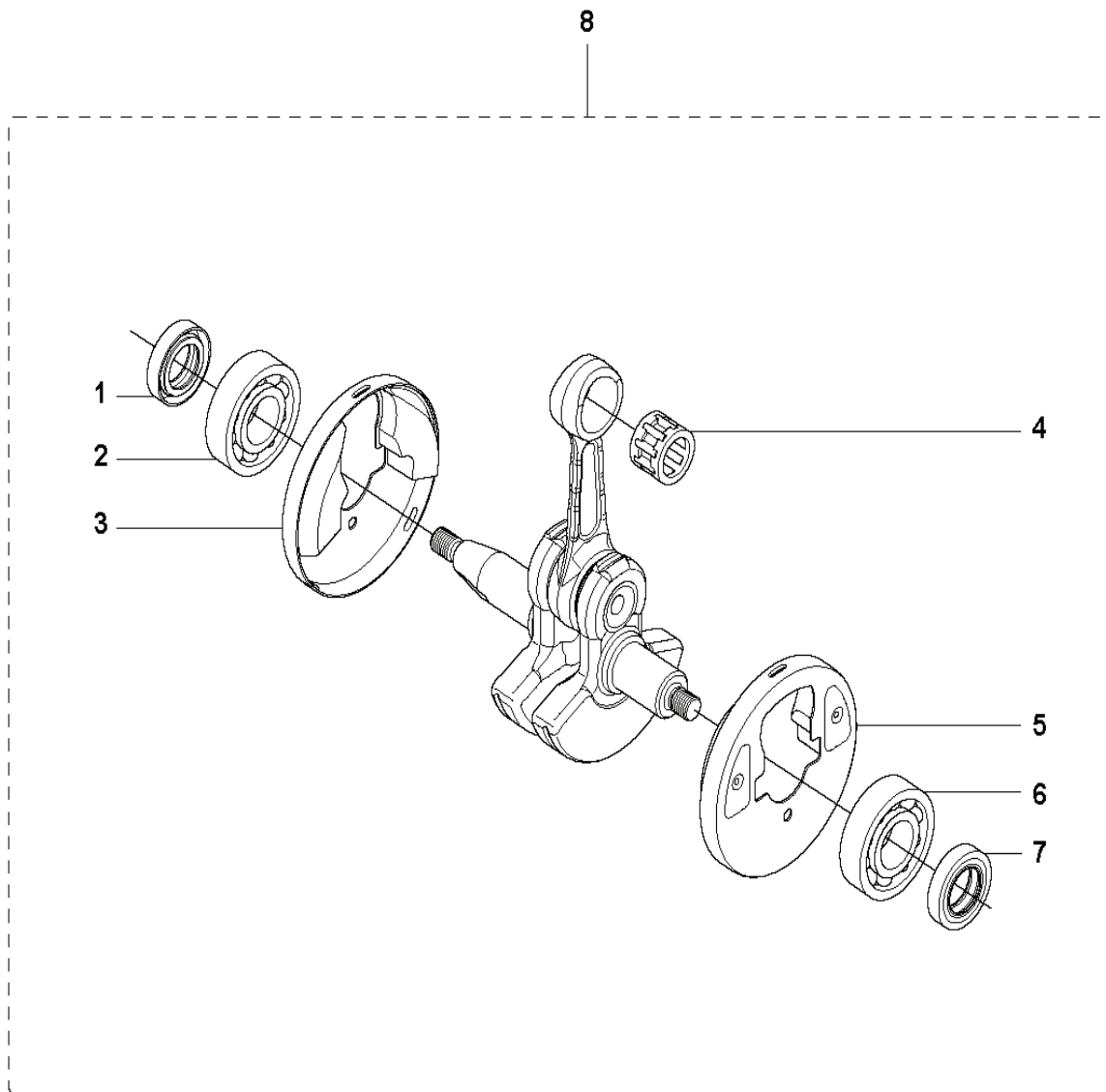
F 535 RX, 535 RJ, 535 RXT, 535 LS
CLUTCH



BRUSHCUTTERS/CLEARING SAWS

PXM_REF	PXM_PARTNO	DESCRIPTION	PXM_REMARK	QTY.
1	544119701	COVER	535 RJ. 535 LS	1
1	537326101	COVER	535RX	1
2	503961301	SCREW		2
3	740420600	O-RING		2
4	537310001	COVER		1
5	537322701	ANTIVIBRATION ELEMENT		1
6	725533355	SCREW IHSCM		1
7	503200320	SCREW IHSCFM		3
8	537310101	COMPRESSION SLEEVE	535 RX. 535 RXT	1
9	735311400	CIRCLIP		1
10	503240702	PARALLEL PIN		2 13
11	738210104	BALL BEARING		1 13
12	735312810	CIRCLIP		1 13
13	537302901	CLUTCH COVER		1
14	537352901	CLUTCH DRUM		1
15	503200320	SCREW IHSCFM		3
16	537418101	SCREW		2
17	537415701	WASHER		1
18	537427201	SPRING		1 19
19	537340401	CLUTCH		1
20	537046801	WASHER		1

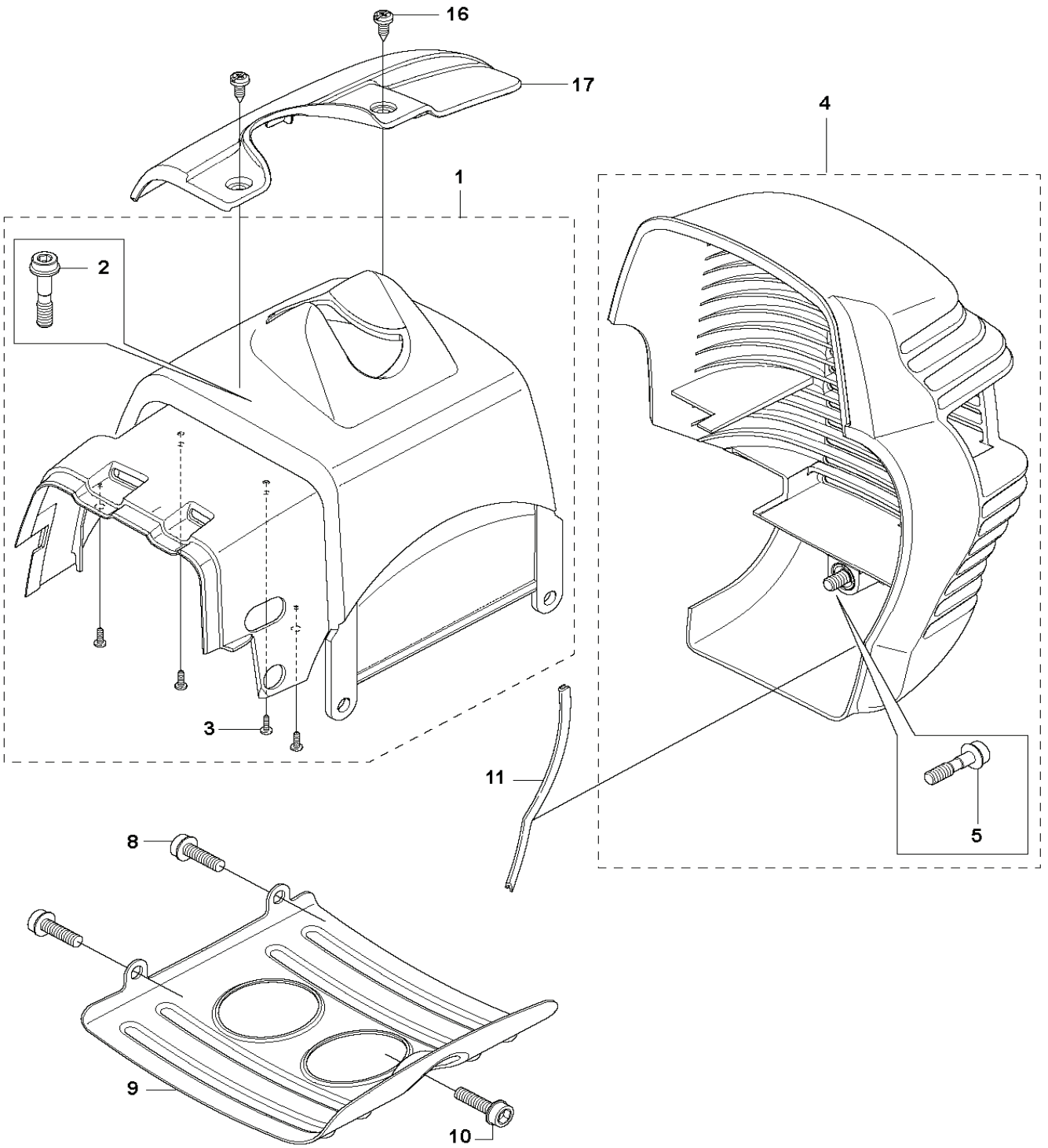
N 535 RX, 535 RJ, 535 RXT, 535 LS
CRANK SHAFT




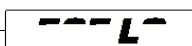


BRUSHCUTTERS/CLEARING SAWS

PXM_REF	PXM_PARTNO	DESCRIPTION	PXM_REMARK	QTY.
1	503260202	SEALING RING		1 8
2	738210110	BALL BEARING		1 8
3	537297601	CUP		1 8
4	503414101	NEEDLE BEARING		1 8
5	537297601	CUP		1 8
6	738210110	BALL BEARING		1 8
7	503260202	SEALING RING		1 8
8	544039001	CRANKSHAFT ASSY		1

G 535 RX, 535 RJ, 535 RXT, 535 LS
CYLINDER COVER

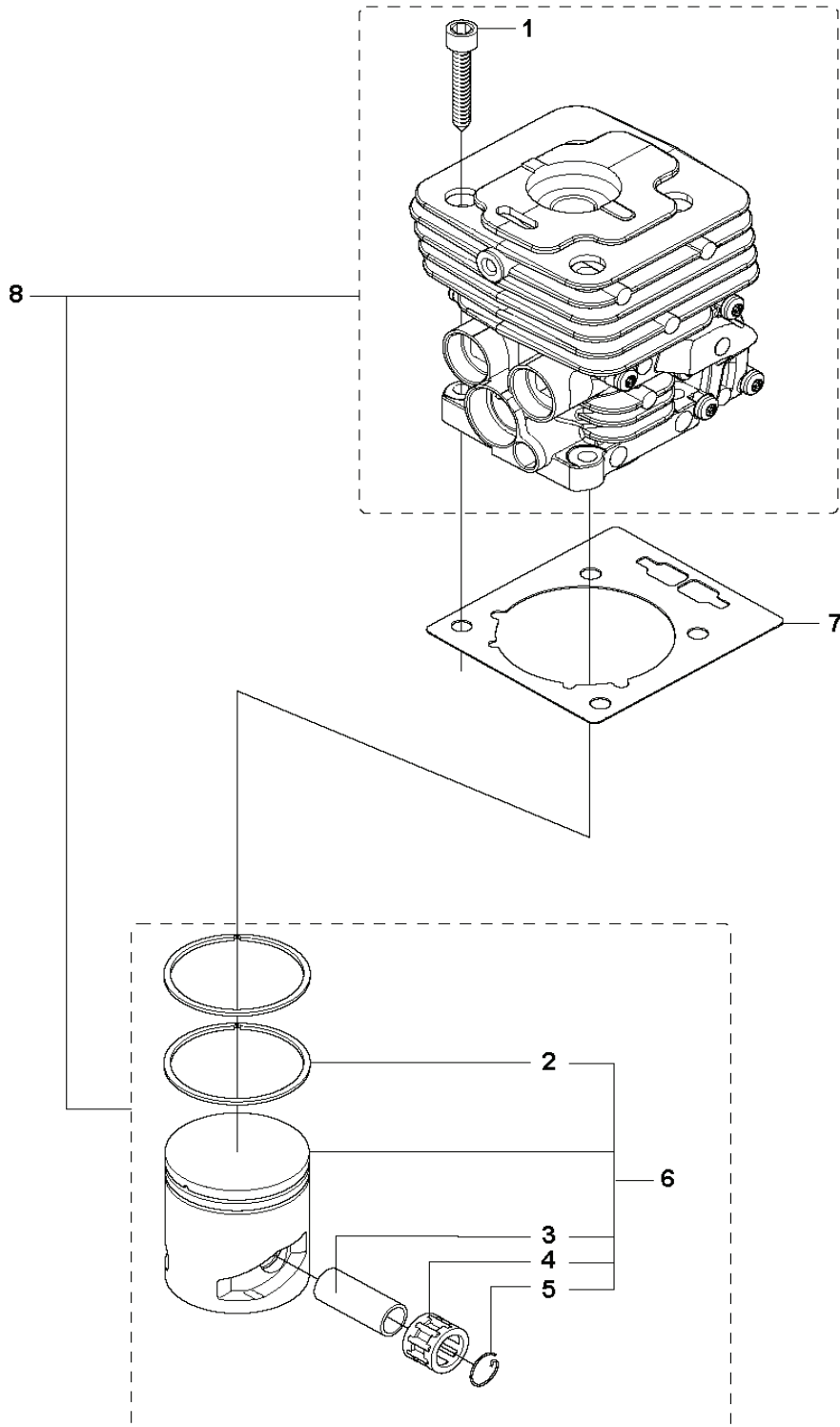


- 12 — 
- 13 — 
- 14 — 
- 15 — 

BRUSHCUTTERS/CLEARING SAWS

PXM_REF	PXM_PARTNO	DESCRIPTION	PXM_REMARK	QTY.
1	544160103	CYLINDER COVER	Spare part incl. Screws Pos. 2	1
2	573994304	SCREW IHSCFMO	Captive screws	1 1
3	503212910	SCREW CCRPANT		4 1
4	537425102	HEAT PROTECTOR	Spare part incl. Screws Pos. 5	1
5	574477003	SCREW IHSCFMO	Captive screws	1 4
8	503217516	SCREW IHSCFT		2
9	537357201	PROTECTIVE PLATE		1
10	503217516	SCREW IHSCFT		1
11	544029801	BAR		1
12	576998610	LABEL	535 RXT	1
13	576998611	LABEL	535 RX	1
14	576998612	LABEL	535 RJ	1
15	576998613	LABEL	535 LS	1
16	503213502	SCREW	535 RJ, 535 LS	2
17	502433901	ARM PROTECTION	535 RJ, 535 LS	1

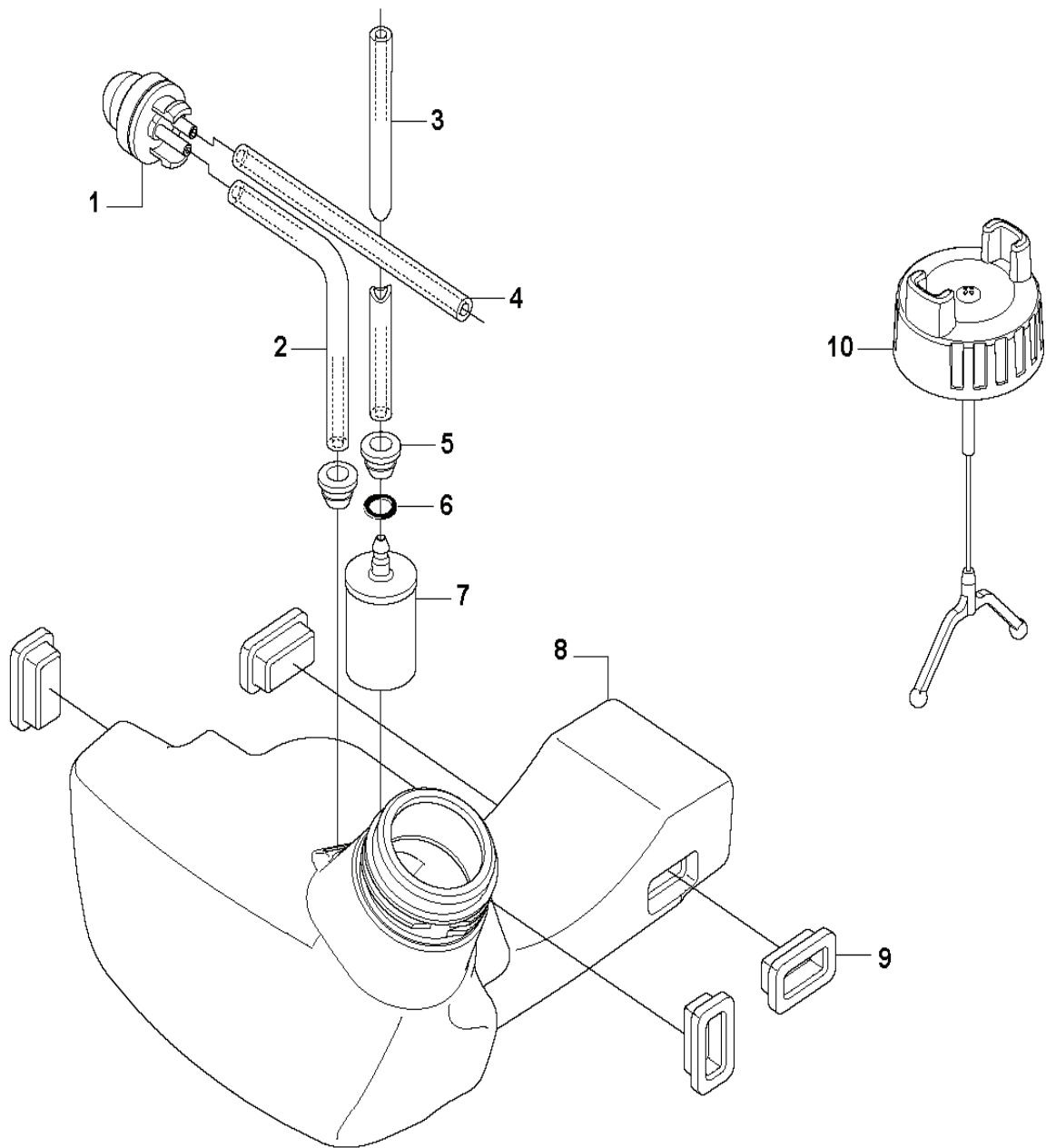
M 535 RX, 535 RJ, 535 RXT, 535 LS
CYLINDER PISTON



BRUSHCUTTERS/CLEARING SAWS

PXM_REF	PXM_PARTNO	DESCRIPTION	PXM_REMARK	QTY.	
1	725533355	SCREW IHSCM		4	8
2	503289054	PISTON RING		2	6.8
3	503289119	PISTON PIN		1	6.8
4	503414101	NEEDLE BEARING		1	6.8
5	737441000	SNAP RING		2	6.8
6	585998302	PISTON ASSY		1	8
7	537333002	GASKET		1	
8	544400601	CYLINDER ASSY	Ø = 38mm.574 36 43-01	1	

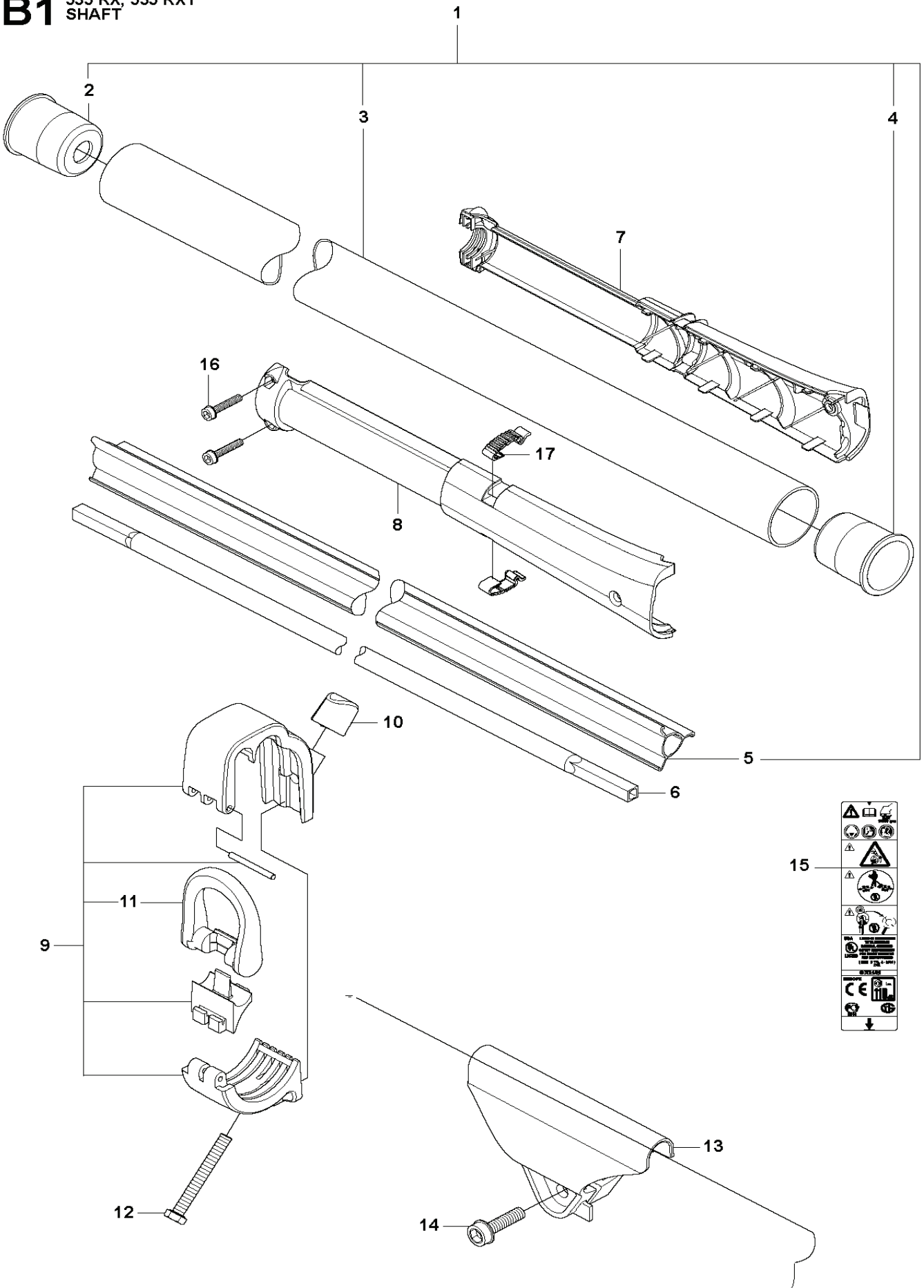
E 535 RX, 535 RJ, 535 RXT, 535 LS
FUEL TANK



BRUSHCUTTERS/CLEARING SAWS

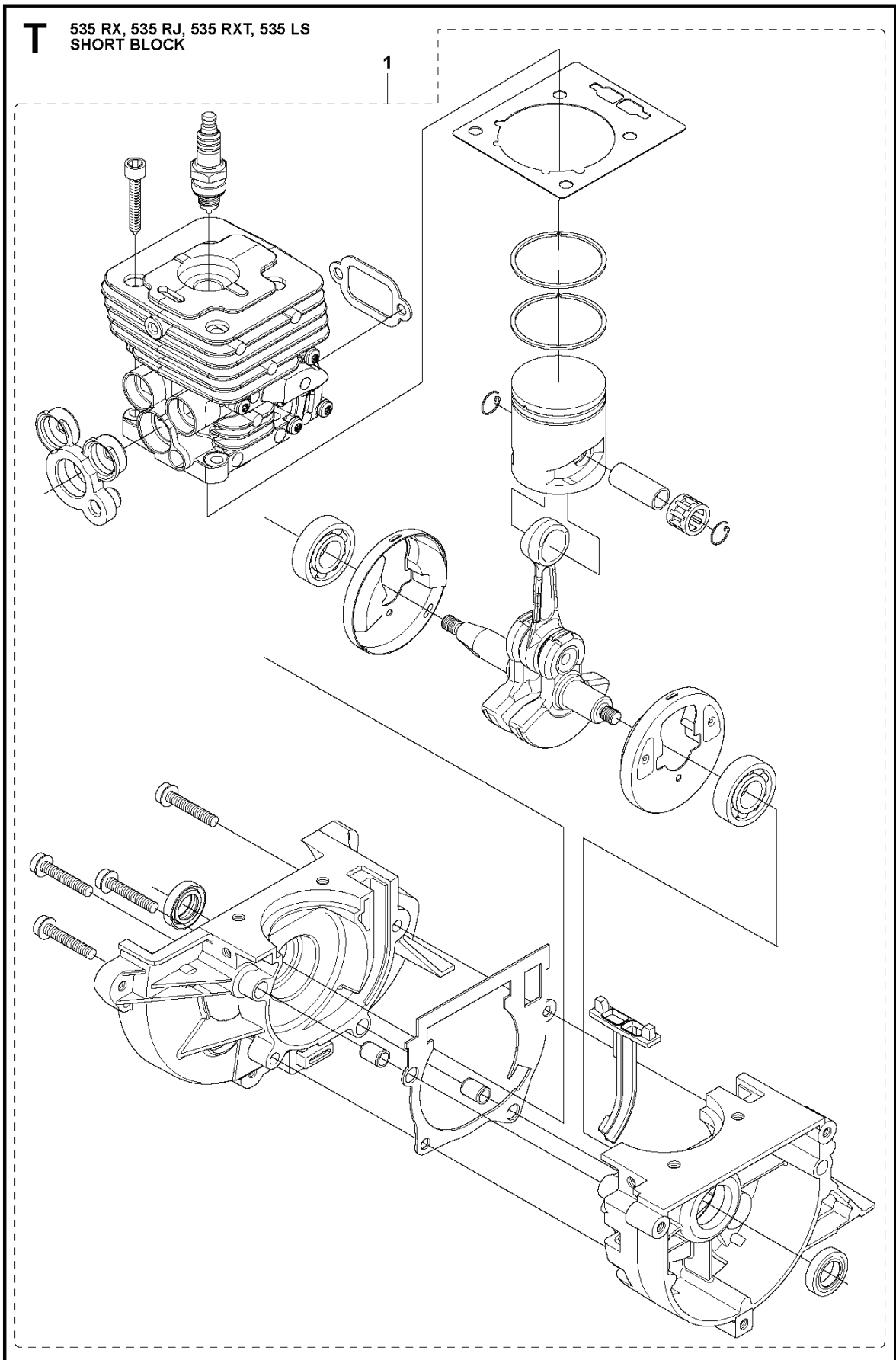
PXM_REF	PXM_PARTNO	DESCRIPTION	PXM_REMARK	QTY.
1	503936601	PURGE		1
2	537042412	FUEL HOSE		1
3	537052301	FUEL HOSE		1
4	537042412	FUEL HOSE		1
5	503735801	BUSHING		2
6	537184901	O-RING		1
7	503443201	FUEL FILTER		1
8	544328801	TANK ASSY		1
9	503911001	SUSPENSION		4
10	590324801	TANK CAP ASSY		1

B1 535 RX, 535 RXT SHAFT



BRUSHCUTTERS/CLEARING SAWS

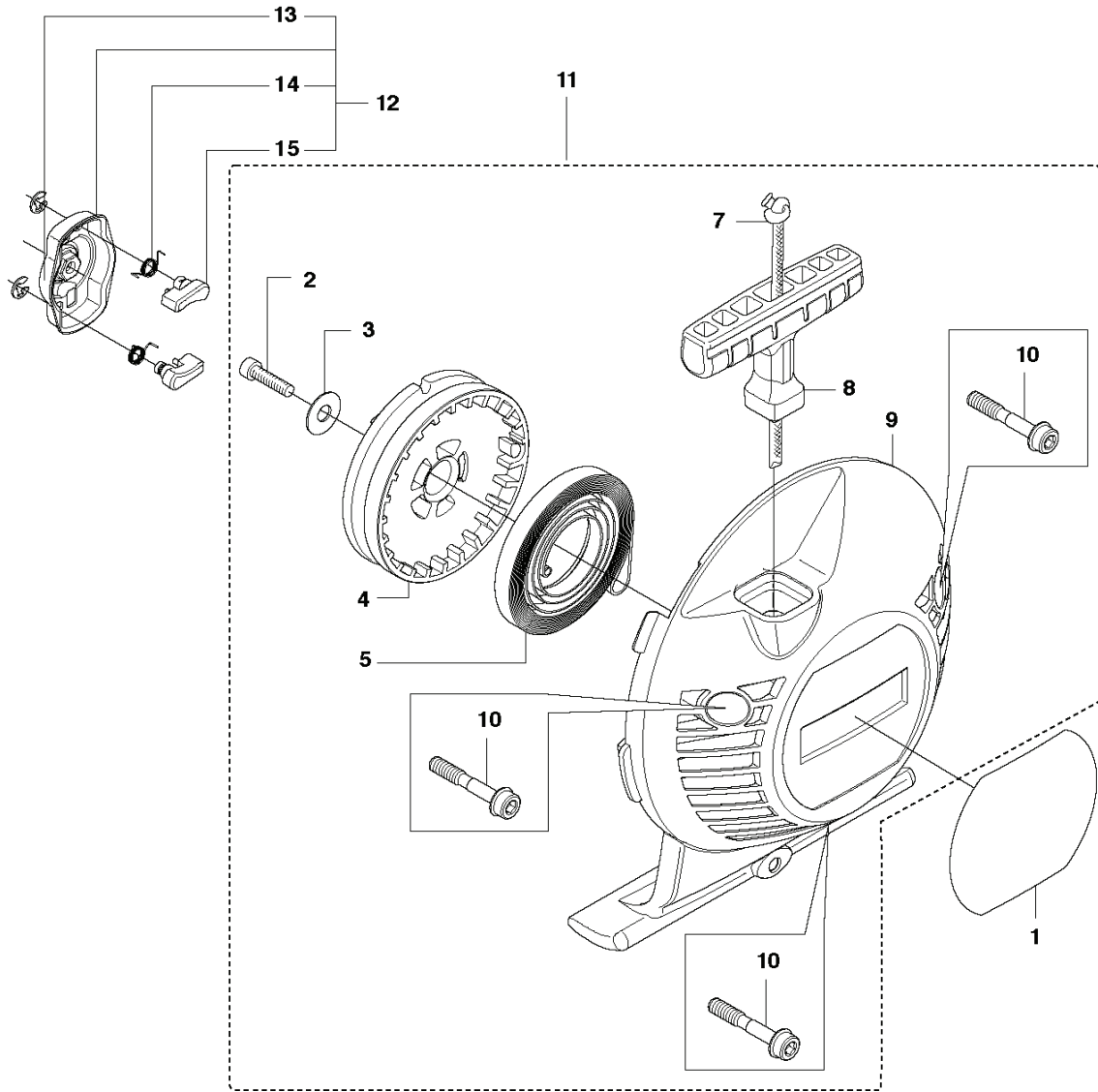
PXM_REF	PXM_PARTNO	DESCRIPTION	PXM_REMARK	QTY.
1	501919701	TUBE ASSY	535 RX, 535 RXT	1
2	537360202	SPACER		1 1
3	537214101	TUBE	Ø = 28mm, L = 1483mm	1 1
4	537360201	SPACER		1 1
5	537313901	GUIDE	Ø = 9mm, L = 1400mm	1 1
6	537355201	DRIVE SHAFT	Ø = 8mm, L = 1527mm	1
7	505137101	WEAR PROTECTION	535RXT	1
8	505137201	WEAR PROTECTION	535RXT	1
9	505160901	LOOP	535 RXT	1
9	537349801	LOOP	535 RX	1
10	537130402	KNOB		1
11	537350101	LOOP		1 9
12	725233951	SCREW EHHM	535 RXT	1
12	725233151	SCREW	535 RX	1
13	537376101	WIRING	535 RX	1
14	503217516	SCREW IHSCFT		1
15	589295101	LABEL		1
16	503200778	SCREW IHSCFM		2
17	537387201	SNAP LOCKING		2



BRUSHCUTTERS/CLEARING SAWS

PXM_REF	PXM_PARTNO	DESCRIPTION	PXM_REMARK	QTY.
1	576796801	SHORT BLOCK	Assembled	1

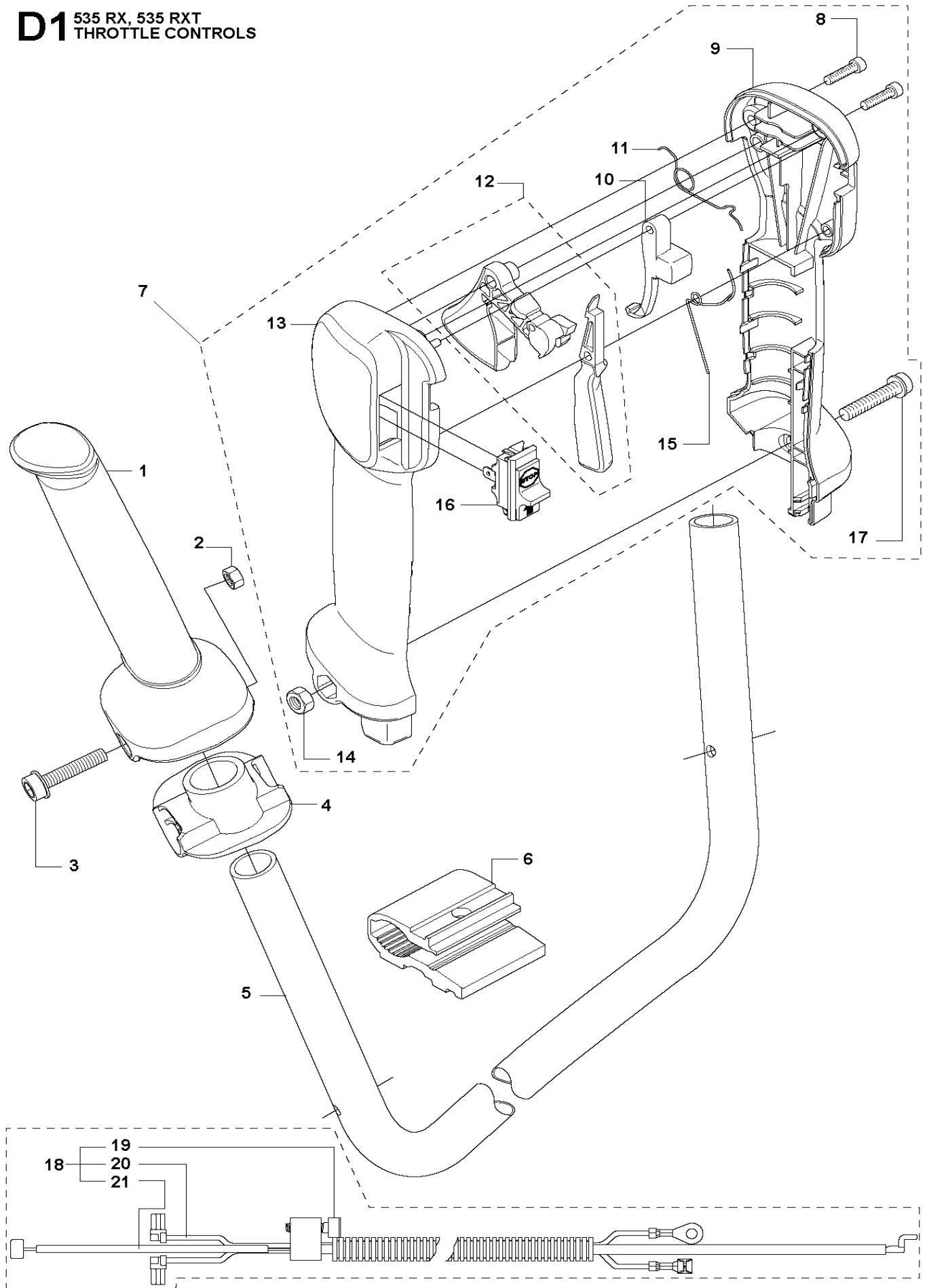
K 535 RX, 535 RJ, 535 RXT, 535 LS
STARTER



BRUSHCUTTERS/CLEARING SAWS

PXM_REF	PXM_PARTNO	DESCRIPTION	PXM_REMARK	QTY.
1	577223602	DECAL		1
2	503217920	SCREW IH SCT		1 11
3	535072301	WASHER		1 11
4	537325002	STARTER PULLEY		1 11
5	503859901	RECOIL SPRING		1 11
7	505305125	STARTER CORD		1 11
8	503543901	STARTER HANDLE		1 11
9	544102502	STARTER	Spare part adapted for captive screws	1 11
10	573994305	SCREW IH SCFMO	Captive screws	3
11	537214707	STARTER ASSY		1
12	503873305	STARTER PAWL		1
13	735310820	E-CLIP		2 12
14	503873601	SPRING		1 12
15	503873502	STARTER PAWL		2 12

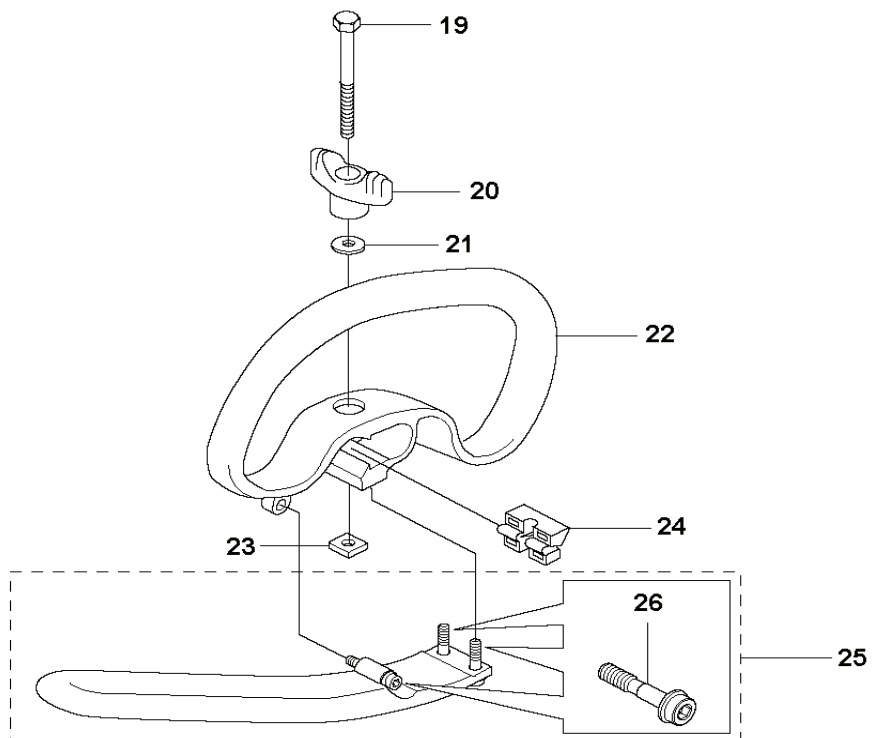
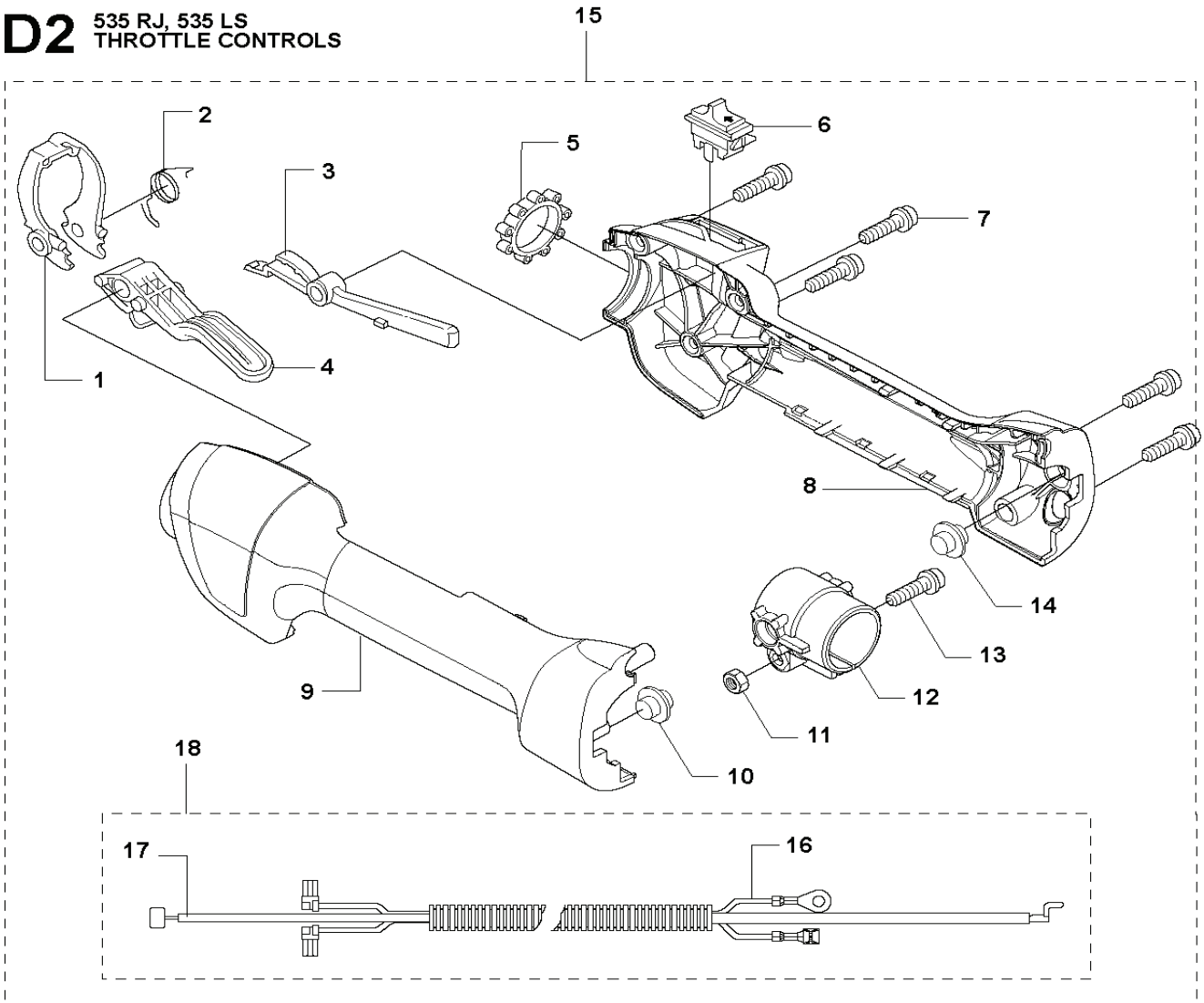
D1 535 RX, 535 RXT
THROTTLE CONTROLS



BRUSHCUTTERS/CLEARING SAWS

PXM_REF	PXM_PARTNO	DESCRIPTION	PXM_REMARK	QTY.
1	537172801	HANDLE		1
2	731231401	HEXAGON NUT		1
3	503200245	SCREW IHSCFM		1
4	537172901	COVER		1
5	537360001	HANDLEBAR		1
6	503750002	HANDLEBAR BRACKET		1
7	537424513	HANDLE ASSY		1
8	503216618	SCREW IHSCT		2 7
9	537160302	HANDLE HALF	535 RXT	1 7
9	537160301	HANDLE HALF	535 RX	1 7
10	537160701	THROTTLE LOCKOUT		1 7
11	537174201	SPRING THROTTLE TRIG		1 7
12	506497701	THROTTLE CONTROL		1 7
13	537160209	HANDLE HALF	535 RXT	1 7
13	537160202	HANDLE HALF	535 RX	1 7
14	503221013	HEXAGON NUT		1 7
15	537174301	SPRING		1 7
16	537419001	SWITCH		1 7
17	503200735	SCREW IHSCFM		1 7
18	537359602	WIRING ASSY		1
19	503216618	SCREW IHSCT		1 18
20	503878507	SHORT CIRCUIT CABLE		1 18
21	537377801	THROTTLE CABLE ASSY		1 18

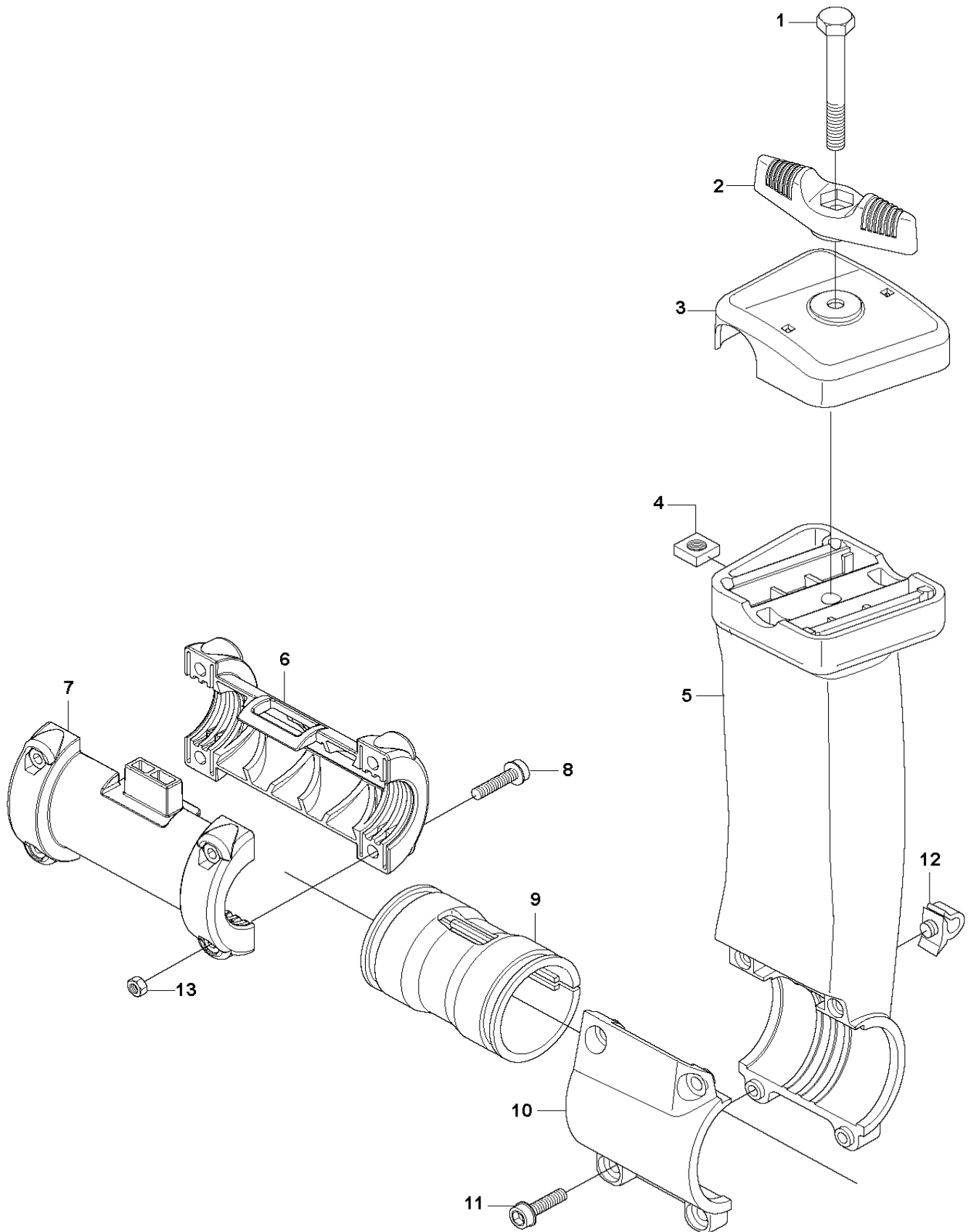
D2 535 RJ, 535 LS
THROTTLE CONTROLS



BRUSHCUTTERS/CLEARING SAWS

PXM_REF	PXM_PARTNO	DESCRIPTION	PXM_REMARK	QTY.	
1	503918101	THROTTLE LEVER		1	15
2	544100801	RECOIL SPRING		1	15
3	503878001	THROTTLE LOCKOUT		1	15
4	503877903	THROTTLE TRIGGER		1	15
5	503961401	ABSORBER		1	15
6	537419001	SWITCH		1	15
7	503216618	SCREW IHSCF		5	15
8	544238401	HANDLE HALF	Hard grip	1	15
8	544100202	HANDLE HALF	Soft grip	1	15
9	544238501	HANDLE HALF	Hard grip	1	15
9	544100302	HANDLE HALF	Soft grip	1	15
10	544101702	DAMPER		1	15
11	731231401	HEXAGON NUT		1	15
12	544112101	RETAINER		1	15
13	503200320	SCREW IHSCFM		1	15
14	544101702	DAMPER		1	15
15	544143602	CONTROL		1	
16	503878506	SHORT CIRCUIT CABLE		1	15, 18
17	544171702	THROTTLE CABLE ASSY		1	15, 18
18	544144901	WIRING ASSY		1	15
19	725238051	SCREW EHHM		1	
20	503879001	KNOB		1	
21	503230061	WASHER		1	
22	544101004	HANDLE LOOP		1	
23	502197101	SQUARE NUT		1	
24	544101101	BLOCK.SPACING		1	
25	503997801	HANDLE	Spare part incl. Screws Pos. 26	1	
26	574181501	SCREW IHSCFTO	Captive screws	3	25

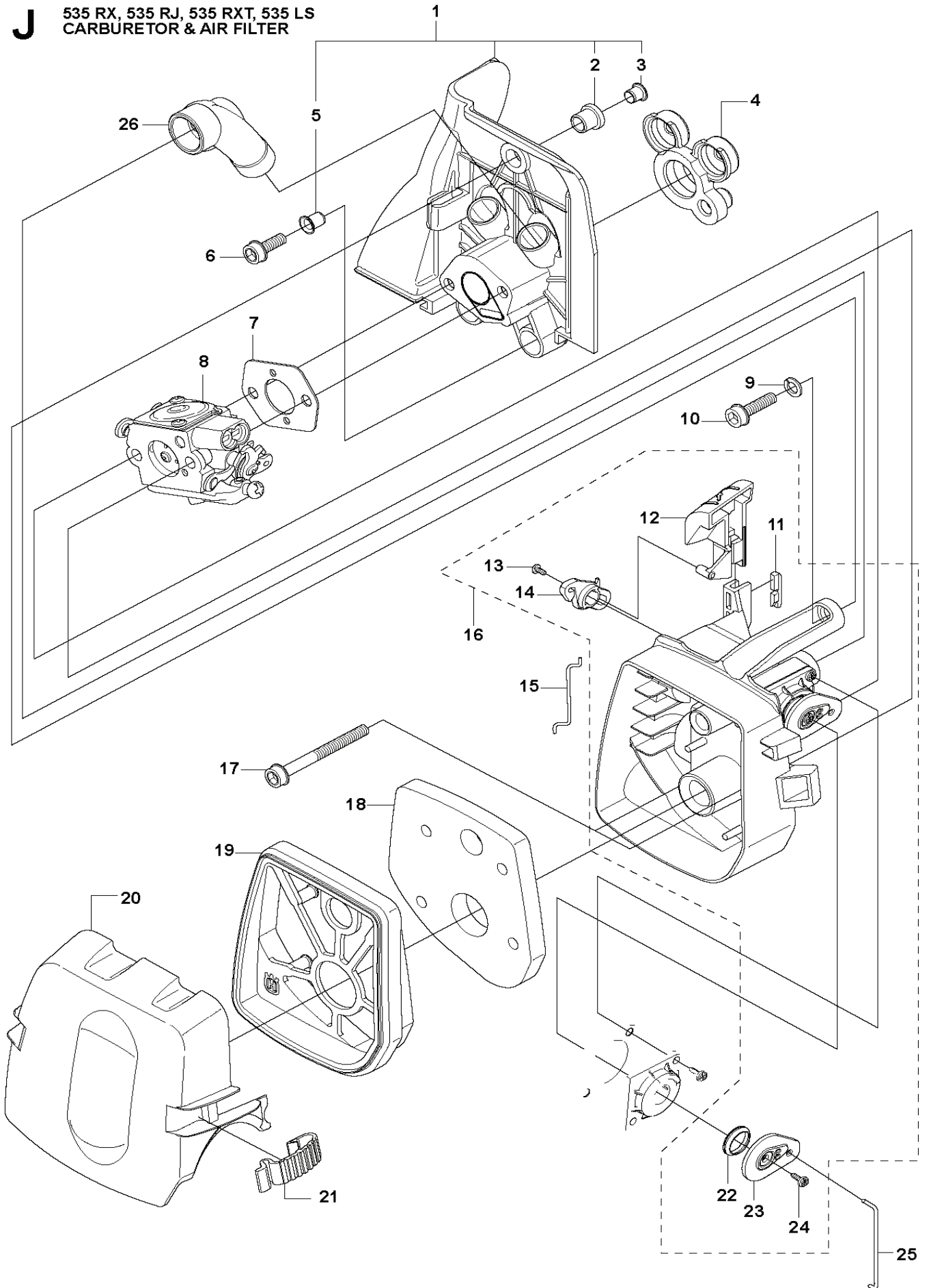
C2 535 RXT
TOWER



BRUSHCUTTERS/CLEARING SAWS

PXM_REF	PXM_PARTNO	DESCRIPTION	PXM_REMARK	QTY.
1	725238285	SCREW EHHM		1
2	502203801	KNOB		1
3	537376301	COVER		1
4	502197101	SQUARE NUT		1
5	537348601	BRACKET		1
6	501380301	CLAMPING SLEEVE		1
7	505220401	CLAMPING SLEEVE ASSY		1
8	503200778	SCREW IHSCFM		4
9	537348903	ANTIVIBRATION ELEMENT		1
10	537348701	HUB CAP		1
11	503210619	SCREW IH SCT		4
12	502286101	CLIP		1
13	731231401	HEXAGON NUT		2

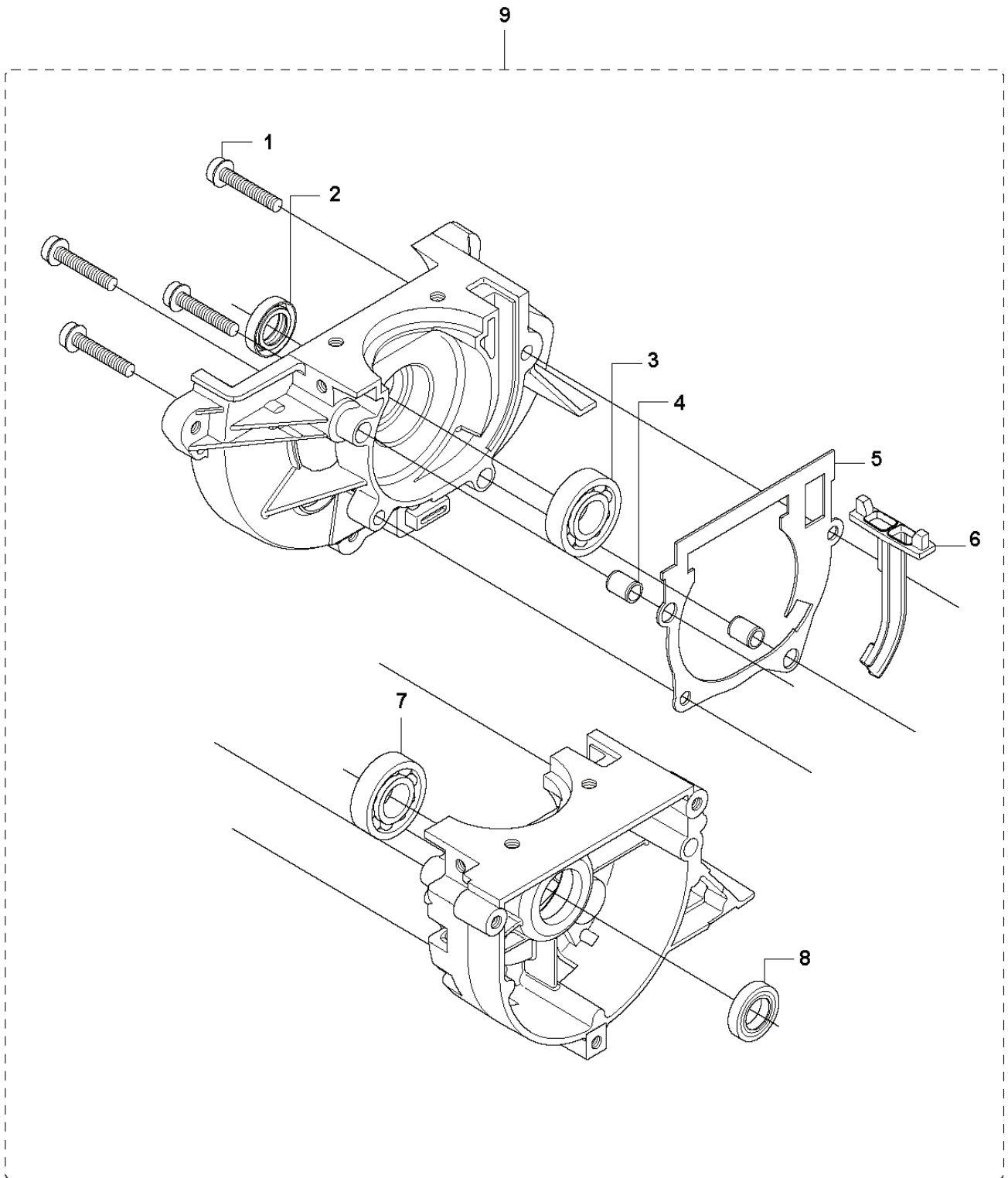
J 535 RX, 535 RJ, 535 RXT, 535 LS
CARBURETOR & AIR FILTER



BRUSHCUTTERS/CLEARING SAWS

PXM_REF	PXM_PARTNO	DESCRIPTION	PXM_REMARK	QTY.
1	537371202	INSULATION WALL		1
2	537371101	SLEEVE		1 1
3	544019101	TUBULAR RIVET		1 1
4	537334301	INLET PIPE		1
5	537373803	TUBULAR RIVET		2 1
6	503200316	SCREW IHSCFM		2
7	503497101	GASKET		1
8	581167501	CARBURETTOR	(ZAMA C1Q-EL36)	1
9	503231006	WASHER		1
10	503200320	SCREW IHSCFM		1
11	544025801	BAR		1 16
12	537337101	CHOKE CONTROL		1 16
13	503212906	SCREW CCRPANT		1 16
14	537355801	LEVER		1 16
15	544372701	SLEEVING BRACKET		1
16	537314101	FILTER HOLDER		1
17	503217550	SCREW IHSCFT		2
18	537337201	FILTER		1
19	537314201	FRAME		1
20	537314401	FILTER COVER		1
21	537387201	SNAP LOCKING		2
22	544014701	BELLOWS		1 16
23	544014601	LEVER		1 16
24	503212906	SCREW CCRPANT		1 16
25	537349001	LEVER		1
26	537341301	AIR DUCT		1

P 535 RX, 535 RJ, 535 RXT, 535 LS
CRANKCASE

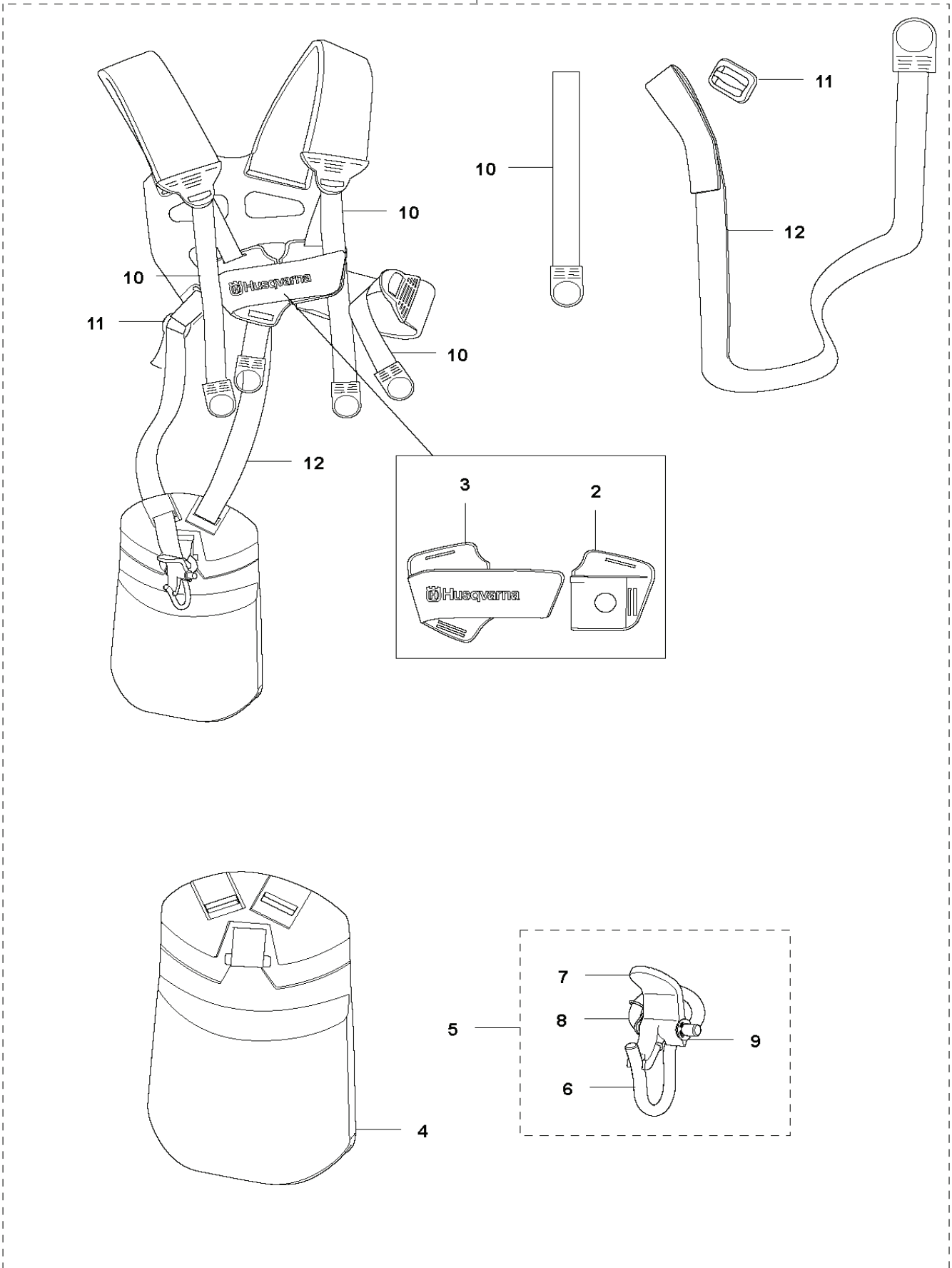


BRUSHCUTTERS/CLEARING SAWS

PXM_REF	PXM_PARTNO	DESCRIPTION	PXM_REMARK	QTY.	
1	503200230	SCREW IHSCFM		4	9
2	503260202	SEALING RING		1	9
3	738210110	BALL BEARING		1	9
4	593806001	GUIDE BUSHING		2	9
5	593777601	GASKET		1	9
6	537324201	INSERT		1	9
7	738210110	BALL BEARING		1	9
8	503260202	SEALING RING		1	9
9	544038901	CRANKCASE ASSY		1	

S DUO BALANCE 35
HARNESS

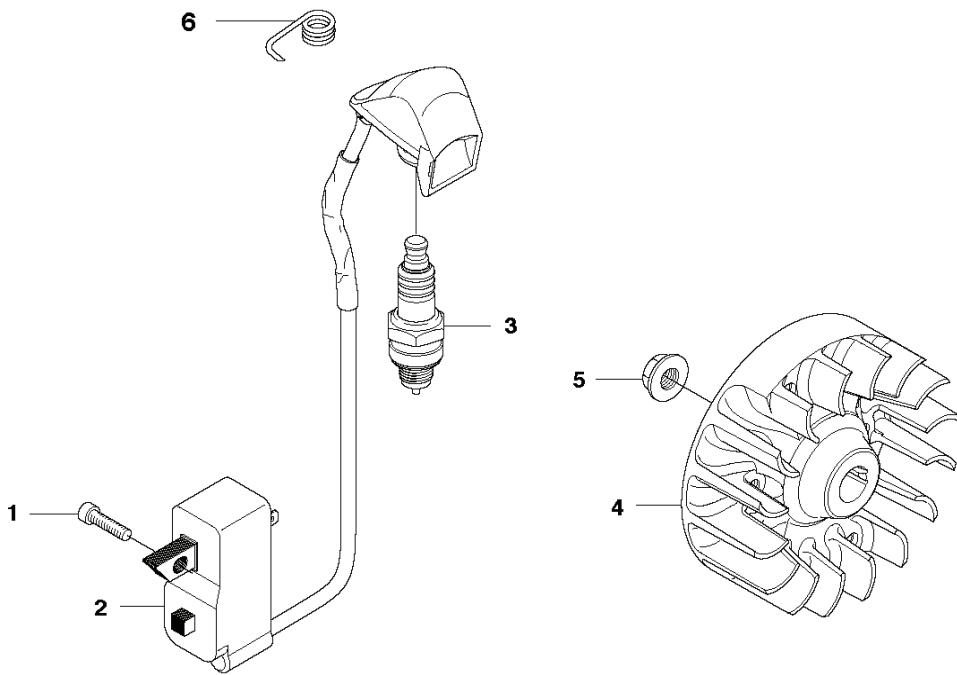
1



BRUSHCUTTERS/CLEARING SAWS

PXM_REF	PXM_PARTNO	DESCRIPTION	PXM_REMARK	QTY.
1	537275702	HARNESS		1
1	537275704	HARNESS	US	1
2	537288301	BUCKLE		1 1
3	537288401	BUCKLE		1 1
4	537275901	HIP PAD		1 1
5	502022801	HOOK		1 1
6	502022902	HOOK		1 1.5
7	502023002	LOCK		1 1.5
8	502023801	SPRING		1 1.5
9	735310920	E-CLIP		1 1.5
10	503996101	BAND		3 1
11	537113501	RETAINER		1 1
12	503996103	BAND		1 1

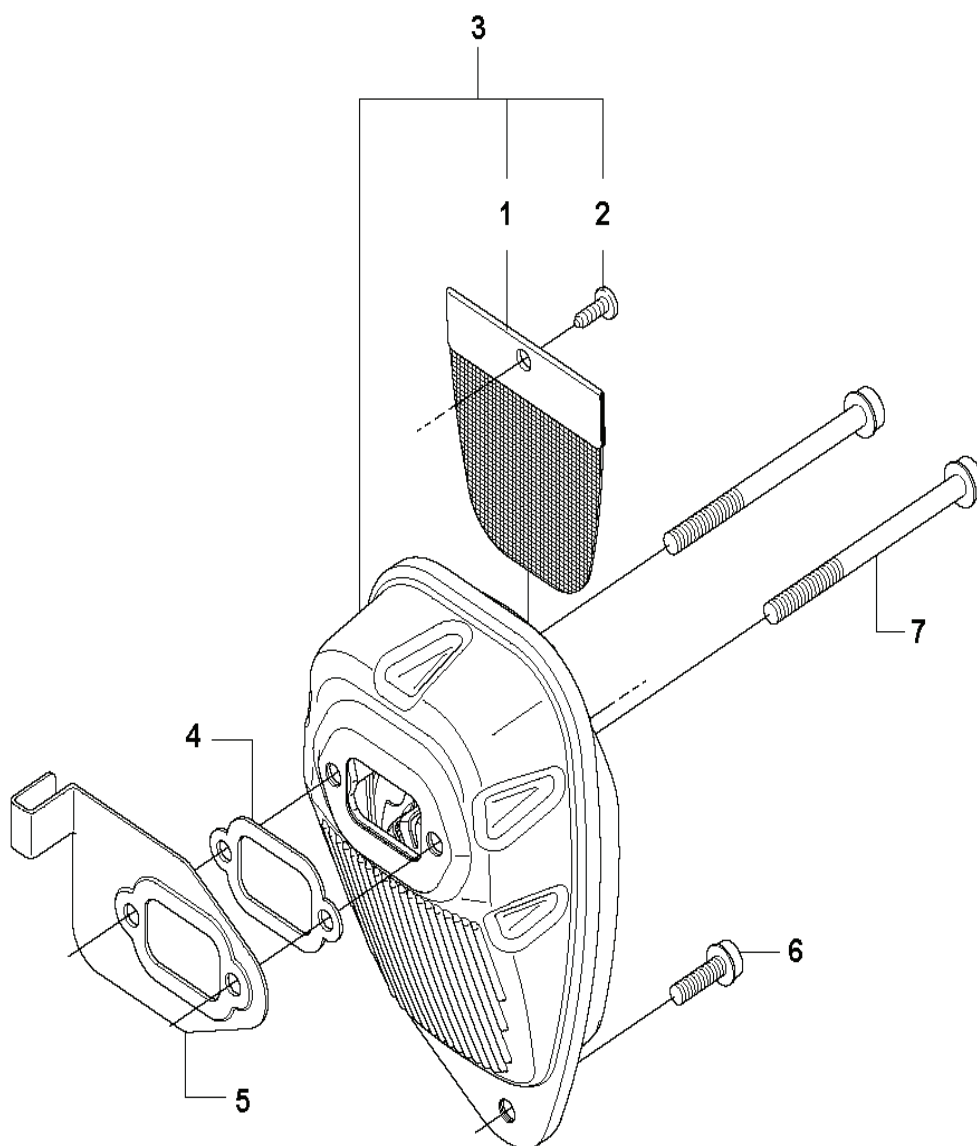
L 535 RX, 535 RJ, 535 RXT, 535 LS
IGNITION



BRUSHCUTTERS/CLEARING SAWS

PXM_REF	PXM_PARTNO	DESCRIPTION	PXM_REMARK	QTY.
1	503216618	SCREW IHSCT		2
2	544127002	IGNITION MODULE		1
3	503235109	SPARK PLUG	CH RCJ6Y (Ø=14 mm)	1
4	537249601	FLYWHEEL		1
5	731711651	HEXAGON NUT FLANGE		1
6	537239301	CONTACT SPRING		1

H 535 RX, 535 RJ, 535 RXT, 535 LS
MUFFLER



BRUSHCUTTERS/CLEARING SAWS

PXM_REF	PXM_PARTNO	DESCRIPTION	PXM_REMARK	QTY.	
1	544116801	SPARK ARRESTER SCREEN		1	3
2	724128759	SCREW CRPANM		1	3
3	505408601	MUFFLER ASSY	Cat	1	
4	537333101	GASKET		1	
5	537340801	AIR CONDUCTOR		1	
6	503200320	SCREW IHSCFM		1	
7	503202963	SCREW IHSCFM		2	